

INSTALLATION INSTRUCTIONS

Voyager Twinspot MSW E3-NM WH / MSW E3X-NM WH
96637113 / 96637114

THORN

	<p>1</p> <p>230V ac 50/60Hz ta: 0°C...+40°C IP65</p>
<p>2 Remove cable entry point(s) (20mm drill)</p> <p>IP65 grommet/gland (not provided)</p>	<p>3</p> <p>DALI only</p>
<p>4</p> <p>IP65 washers & screws</p>	<p>5</p> <p>Commissioned Date</p>
<p>6</p> <p>1.2 Nm</p>	<p>7</p> <p>Cable Size & Strip Length</p> <p>0.5 - 2.5mm² Solid conductor or 7 stranded wire ends</p>

INSTALLATION INSTRUCTIONS

Voyager Twinspot MSW E3-NM WH / MSW E3X-NM WH
96637113 / 96637114

THORN

LED Status Indicator

Standard variants – Single colour, green indicator LED.

LED Indication	Status
Green Steady On	Normal, Standby Mode, Charging Battery.
Off	Charging / Battery Fault, Power Off / Emergency Mode

DALI-2 variants – Bicolour, red/green indicator LED

LED Indication	Status
Green Steady On	Normal, Commissioned, Standby Mode
Green Slow Flash (1s On, 1s Off)	Commissioning or Duration Test In Progress
Green Fast Flash (0.1s On, 0.1s Off)	Function Test In Progress
Green Double Pulse	Inhibit Mode (initiated by DALI controller)
Red Slow Flash (1s On, 1s Off)	Battery Fault (inc. Failed DT/FT)
Red Fast Flash (0.1s On, 0.1s Off)	Charging Fault
Red Steady On	Lamp Fault
Off	Power Off / Emergency Mode

Basic insulation is provided between the Live supply and DALI control circuits.

Refer to the user guide for further commissioning and functionality information.

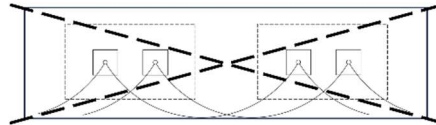
Lampheads should be positioned and set according to a verified lighting scheme, and should be installed out of arms reach.

The LED light source is non-replaceable. Once end-of-life is reached, the whole luminaire will need to be replaced.

If the backup does not extend to the declared duration, the battery has to be replaced.

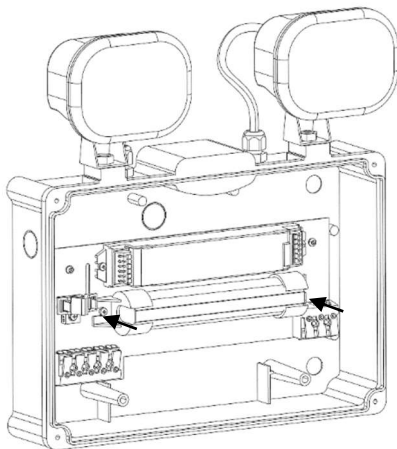
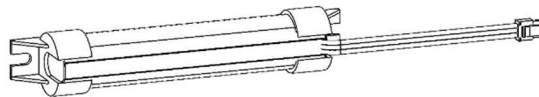
The electric source for safety service is not a user serviceable item and shall only be replaced by the manufacturer service agent or a similar qualified person.

Not suitable for loop in/out connections

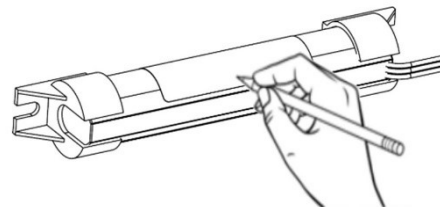


Battery Replacement

59012163 VOYAGER TWINSLOT ACCU LiFePo4 3h



Remove 2 screws to replace battery



Commissioned Date